



## DEZZI MG80T MOTOR GRADER



**BUILT AFRICA TOUGH**

Designed & Manufactured in South Africa

[www.dezzi.co.za](http://www.dezzi.co.za)



# DEZZI MG80T MOTOR GRADER

## SPECIFICATION SHEET

\*Desmond Equipment SA (Pty) Ltd reserves the right to modify specifications without notice.

### ENGINE

TYPE : JCB  
 MODEL : 444T Turbocharged  
 CAPACITY : 4.4 Litres  
 POWER : 75KW @ 2200 RPM  
 TORQUE : 425NM, @ 1300 RPM

### TRANSMISSION

TYPE : ITL  
 MODEL : PS 750  
 GEARING : Constant mesh  
 Full power with shift modulation  
 GEARS : Forward - 4  
 Reverse - 4  
 SPEED : 40Km/H  
 TORQUE CONVERTER : Single phase 3 element

### AXLES

FRONT : Dezzi pivoting, steering axle  
 REAR : ITL PD87

### TYRES

FRONT : 10.5 x 16  
 REAR : 600/65 R34 1800 x 25 (optional)

### BRAKES

TYPE  
 • Inboard, wet-sealed brake discs on rear wheels  
 PARK BRAKE  
 • Mechanically applied disc brake on the drive line

### HYDRAULICS

OIL CAPACITY : 60 Liters  
 PUMPS : Fixed displacement gear driven  
 WORKING PRESSURE : 1 600Psi (11MPa)  
 Full flow filtration

### STEERING

• Fully hydraulic orbital controlled steering with double-acting cylinder  
 • Full flow filtration  
 • Turning radius : 8.2m  
 • Axle oscillation angle : 18° in each direction

### ELECTRICS

VOLTAGE : 12 Volt  
 BATTERY : 1 x 12 Volt  
 ALTERNATOR : 12 Volt / 70 Amp

### CAB

- Fully enclosed lockable cab
- Fully adjustable, weight compensating operator seat with built in suspension and seat belt
- Full road ordinance lighting and indicators
- Rubber mat floor covering
- Roof mounted ventilation fan • Air-conditioning optional

### SERVICE CAPACITIES

COOLING SYSTEM : 32 Litres  
 ENGINE CRANKCASE : 16 Litres  
 REAR AXLE DIFFERENTIAL : 16 Litres  
 TRANSMISSION : 15 Litres  
 DIESEL TANK : 70 Litres  
 HYDRAULIC SYSTEM : 60 Litres  
 PLANETARY HUB : 2.5 Litres each end

### OPERATIONAL WEIGHTS

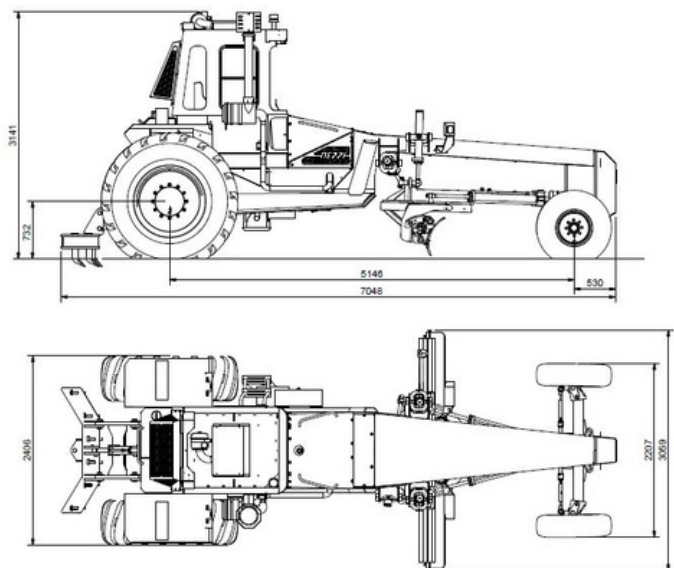
FRONT AXLE : 2 400kg  
 REAR AXLE : 4 940kg  
 TOTAL : 7 340kg

### BLADE SPECS

LENGTH : 3 050mm  
 HEIGHT : 490mm (including cutting edge)  
 THICKNESS : 16mm  
 CIRCLE ROTATION : 45° either side  
 BLADE LIFT : 280mm  
 BLADE DIG : 250mm  
 BANK SLOPE ANGLE : 17° either side

### SCARIFIER

SCARIFIER WIDTH : 1 600mm  
 SCARIFIER DIG DEPTH : 350mm



CALL : 0800 DEZZI / 33994  
 Head Office: +27 (0)39-685 4100  
 Email: machinesales@dezzi.co.za  
 www.dezzi.co.za