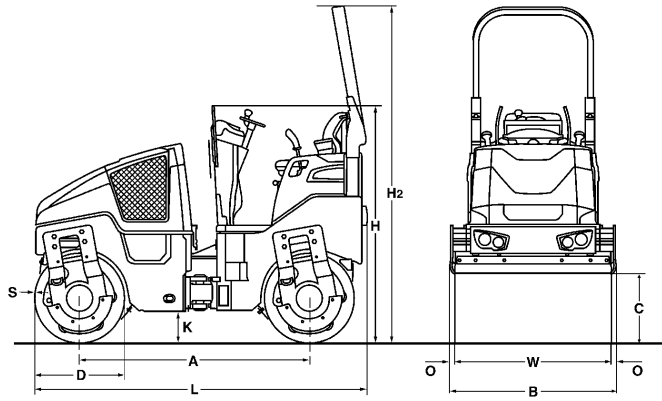


TECHNICAL DATA

TANDEM ROLLERS

BW 100 AD-5, BW 120 AD-5





Dimensions in inch

	A	B	C	D	H	H2	K	L	O	S	W
BW 100 AD-5	69.0	42.2	20.6	27.6	71.2	101.1	10.0	99.6	1.4	0.51	39.4
BW 120 AD-5	69.0	50.1	20.6	27.6	71.2	101.1	10.0	99.6	1.4	0.51	47.2

Shipping dimensions in cub.yd

BW 100 AD-5
BW 120 AD-5

without ROPS

6,413
7,614

with ROPS

9,106
10,811

Machine type	Compaction output (cub.yd/h) at recommended soil layer thicknesses		
	Gravel, sand	Mixed soil	Silt, clay
BW 100 AD-5	104.6-189.7	71.9-137.3	49.7-95.5
BW 120 AD-5	111.2-222.4	85.0-163.5	56.2-111.2

Machine type	Compaction output (t/h) at different asphalt layer thicknesses		
	0.8-1.6 in	2.4-3.1 in	3.9-4.7 in
BW 100 AD-5	19.6-52.3	52.3-78.5	78.5-130.8
BW 120 AD-5	26.2-58.9	52.3-91.6	91.6-157.0

Technical Data

**BOMAG
BW 100 AD-5**

**BOMAG
BW 120 AD-5**

Weights

Operating weight w. ROPS CECE	lb	5,512	5,953
Average static linear load CECE	lb/in	70.0	63.0
Grossweight	lb	7,716	8,047

Dimensions

Working width	in	39.4	47.2
Track radius, inner	in	100.4	96.5

Driving Characteristics

Speed	mph	0- 6.2	0- 6.2
Working speed with vibration	mph	0- 6.2	0- 6.2
Max. gradeability without/with vibr.	%	40/30	40/30

Drive

Engine manufacturer		Kubota	Kubota
Type		D 1703	D 1703
Emission stage		Stage IIIa / TIER4i	Stage IIIa / TIER4i
Cooling		water	water
Number of cylinders		3	3
Performance ISO 14396	hp	32.6	32.6
Performance SAE J 1995	hp	32.6	32.6
Speed	rpm	2,600	2,600
Speed adjustment 1	rpm	2,500	2,500
Speed adjustment 2	rpm	2,600	2,600
Electric equipment	V	12	12
Driven drum		front + rear	front + rear

Brakes

Service brake		hydrost.	hydrost.
Parking brake		hydromec.	hydromec.

Steering

Steering system		oscil.artic.	oscil.artic.
Steering method		hydrost.	hydrost.
Steering / oscillating angle +/-	deg	32/10.0	32/10.0
Crab walk	in	0- 2.0	0- 2.0

Exciter system

Vibrating drum		front + rear	front + rear
Drive system		hydrost.	hydrost.
Frequency	vpm	3,780.0/4,020.0	3,780.0/4,020.0
Amplitude	in	0.020	0.020
Centrifugal force	lb	6,699/7,576	8,093/9,172

Sprinkler System

Type of sprinkling		pressure	pressure
--------------------------	--	----------	----------

Capacities

Fuel	gal	9.2	9.2
Water	gal	54.2	54.2

Technical modifications reserved. Machines may be shown with options.

Standard Equipment

- Hydrostatic travel and vibration drive
- Travel drive in series
- 2 scrapers per drum, spring loaded and tiltable
- Pressure sprinkler system with interval switch
- Multi function travel lever
- Multi-function display incl. operating hour meter
- Water level
- Emergency STOP
- Individual control, vibration
- Intelligent Vibration Control (IVC)
- Integrated storage compartment
- Adjustable operator's seat
- Seat contact switch
- Vandalism protection
- 12V socket
- Working lights front and rear
- Back-up alarm
- Lashing eyes, galvanized
- Single point lifting device
- Lockable engine hood made of composite material

Optional Equipment

- * Foldable ROPS incl. seat belt
- Sun roof, foldable with ROPS
- Weather protection for sun roof
- Seat heating
- Sliding seat incl. double travel lever
- ECONOMIZER with asphalt temperature display
- Temperature display
- BOMAG TELEMATIC
- Indicator and hazard lights
- Rotary beacon
- Optional lighting on ROPS
- Lighting for drum edge
- Battery disconnect switch
- Environmentally compliant hydraulic oil
- Theft protection
- Edge cutter-right/left
- Gravel scrapper
- Hydraulically adjustable crabwalk (1.97in)
- Pointer
- Special painting
- Backup warning buzzer with broadband technology
- Flow divider
- ECOSTOP
- Outside mirrors
- Anti-frost intake
- Tablet holder set
- JOBLINK measuring technology interface
- JOBLINK Bluetooth adapter
- BOMAP GPS antenna holder

* Standard delivery with CE conformity
(valid within European Union)



PRUS 880 21 010

080922 Sa06

BOMAG Americas, Inc.
125 Blue Granite Parkway
Ridgeway, SC 29130
USA
Tel. +1 803 3370700
Fax +1 803 3370800
www.bomag.com/us

